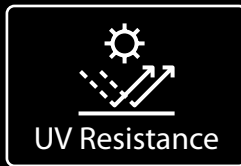
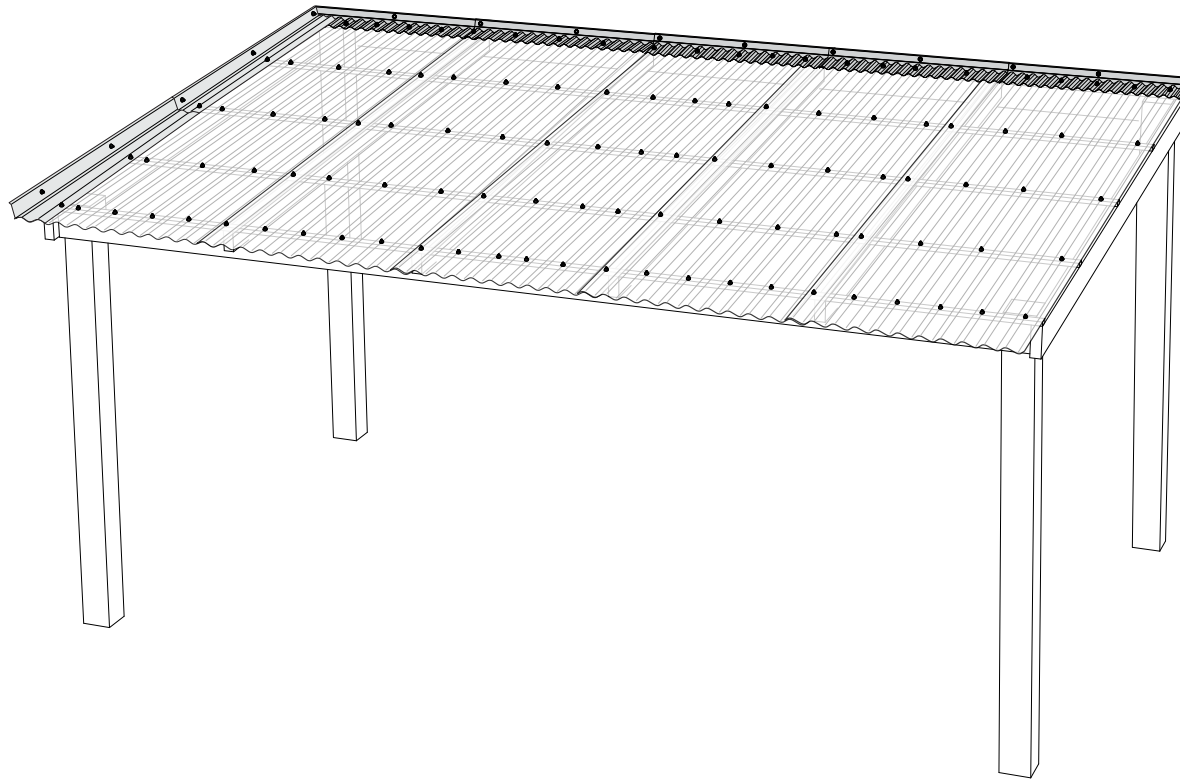




# SUNTUF® DIY & Beehive | Installation Guide



UV Resistance



Snow Load



Wind Resistance



Aesthetics



Easy To Install

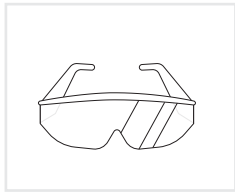
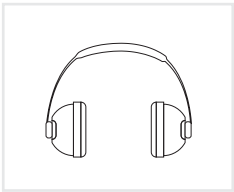
[SUNTUF® DIY - Product Page](#)

[SUNTUF® Beehive - Product Page](#)

[PALRAM Website](#)

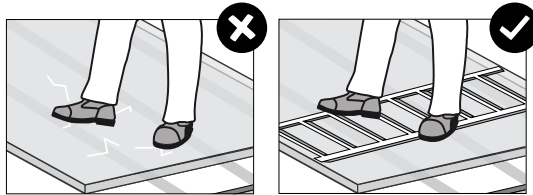
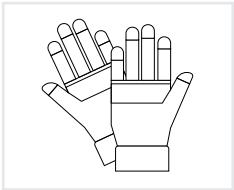
# Installation

## Safety comes first

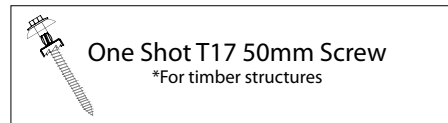
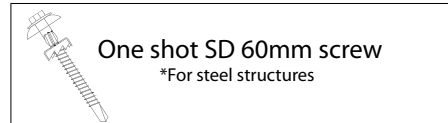
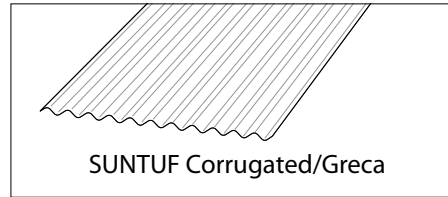


Do not step directly on the sheets between the purlins!

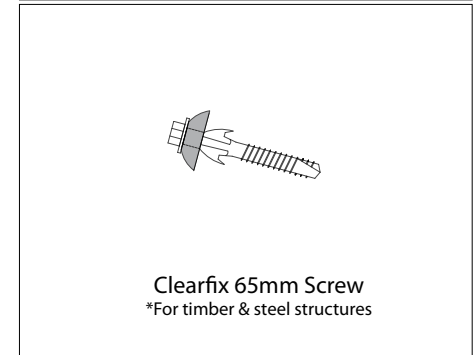
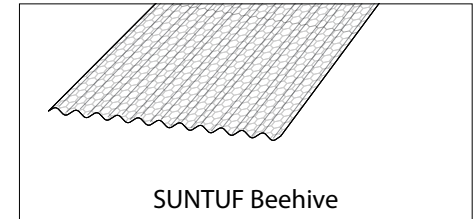
When installing SUNTUF or doing maintenance work, always consider the sheet to be unfit to support a person's weight. Always use stepping ladders or crawling boards, supported by minimum three roof structural elements, when working on a glazed roof of any kind.



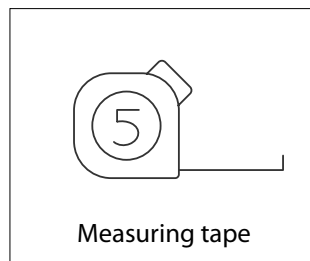
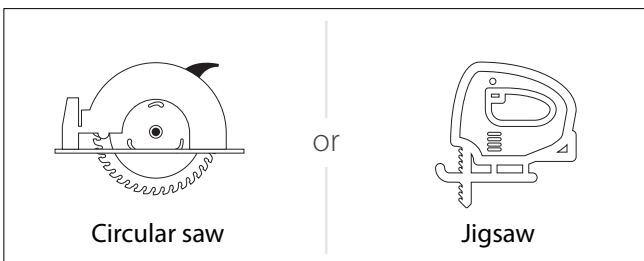
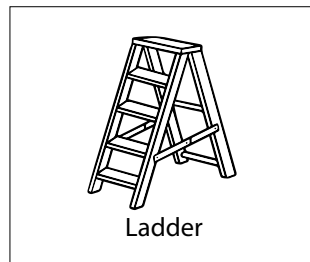
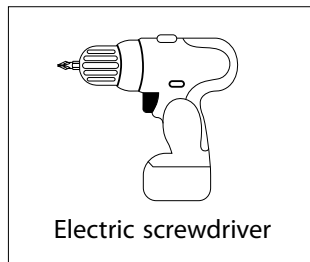
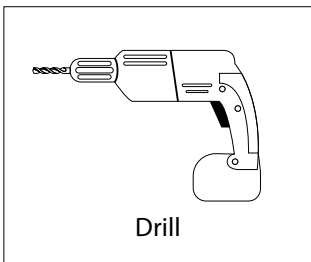
## SUNTUF DIY



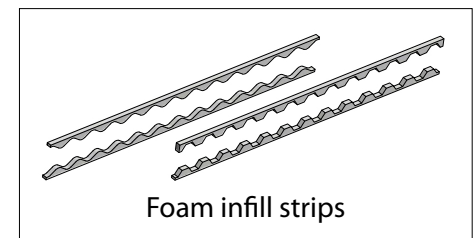
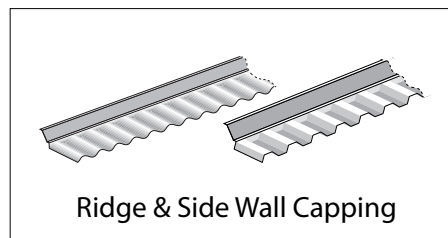
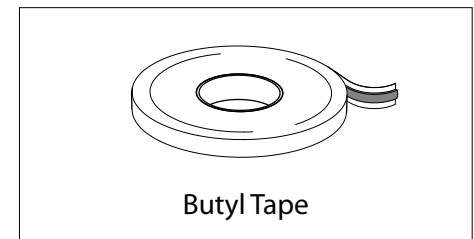
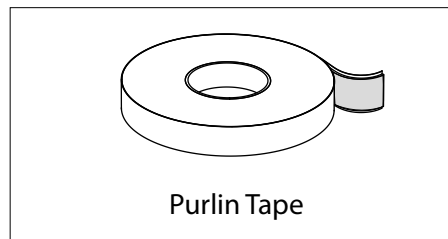
## SUNTUF Beehive



## Required Tools

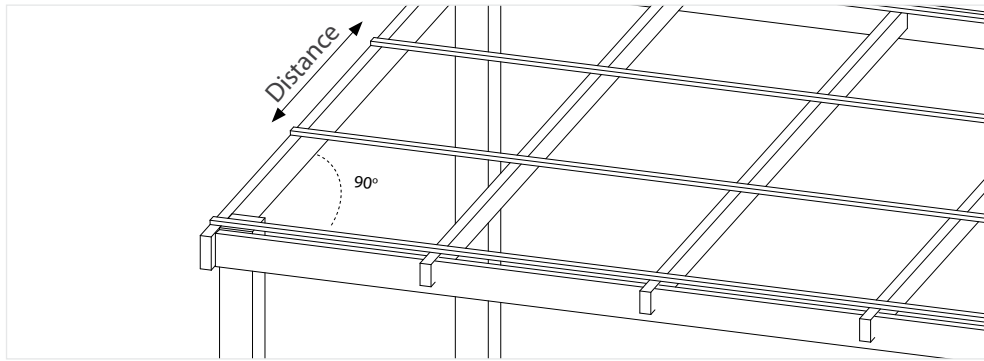


## Optional



# Before Installation - Guidelines for substructure

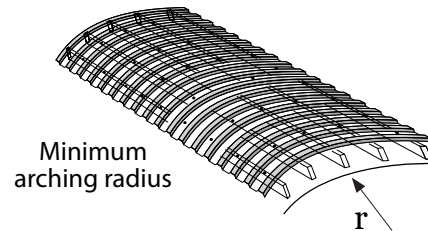
## 1 Purlin Spacing



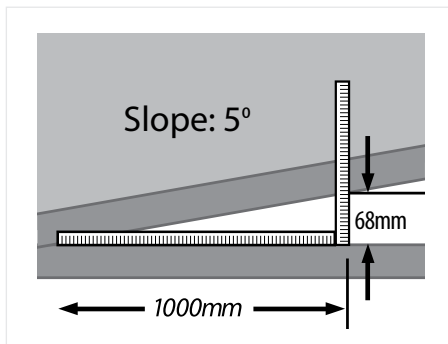
Ensure that the underlying roof structure is square before starting installation of the SUNTUF® Sheets.

Profile	Distance between purlins
SUNTUF Corrugated/Greca	800mm to 1000mm
SUNTUF Beehive	1100mm to 1400mm

Minimum arching radius	
SUNTUF Greca 76	4m Max
SUNTUF Corrugated 76	4m Max
SUNTUF Beehive	7m Max

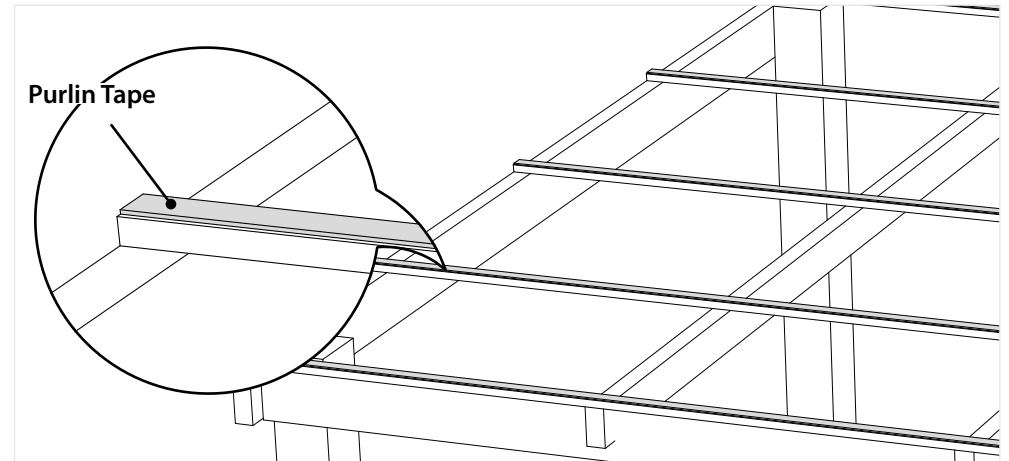


## 2 Ensure Minimum Roof Pitch



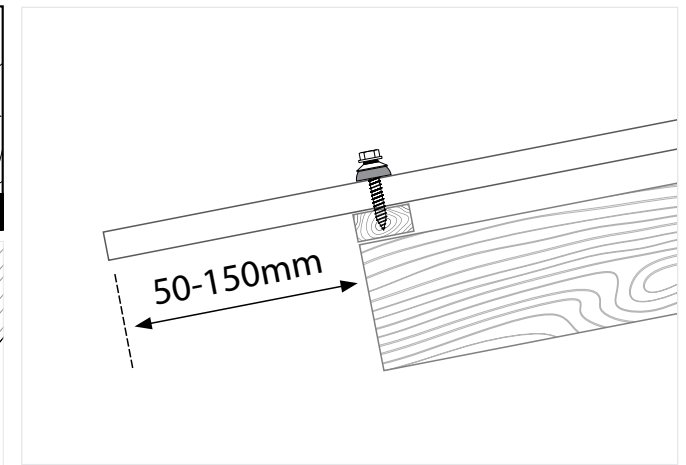
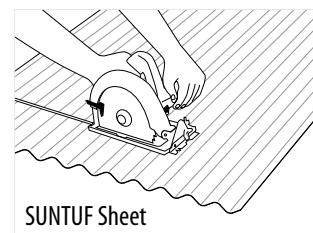
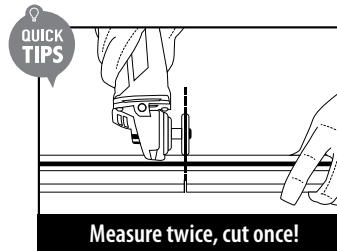
- Confirm that the roof pitch is at least 5° (200mm rise for 2m length or 250mm for 2.5m length).
- This minimum pitch will ensure proper water runoff and help keep the Roof Panels clean.

## 3 Foam tape application



- Applying foam tape on each purlin will reduce friction and noise caused by thermal expansion.

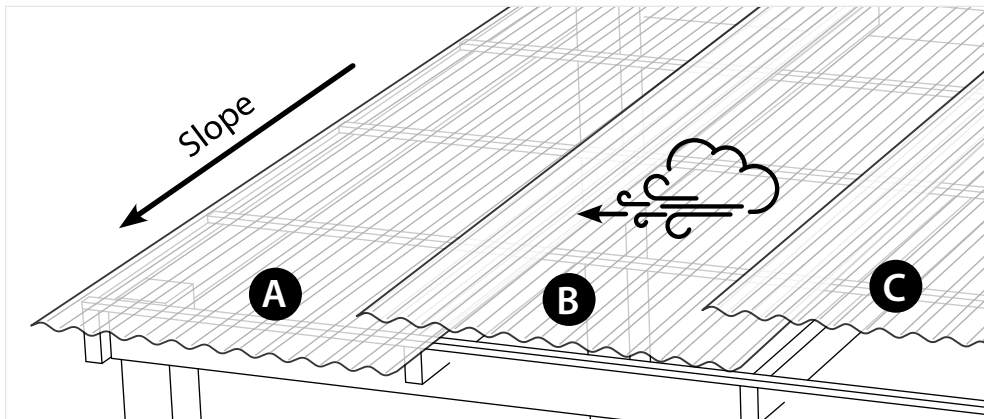
## 4 Measuring and Cutting



- **NOTE:** if you plan to install a gutter, use a 50mm overhang.

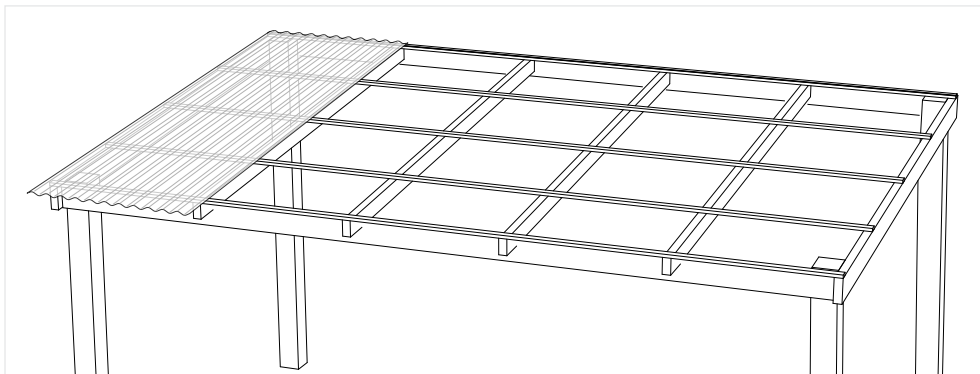
# Installation

## 5 Layout direction



- Lay the sheets against wind direction.
- Start with the bottom sheet on the opposite side to the wind direction.
- **NOTE:** overlap 2 corrugations when slope is lower than 5°.

## 6 Positioning the first sheet



- Set the first sheet on the purlin, leaving 50-150mm overhang.

## 7 Screw scheme

### SUNTUF Corrugated & Beehive

Top and bottom purlins



Middle Purlins



### SUNTUF Greca

Top and bottom purlins

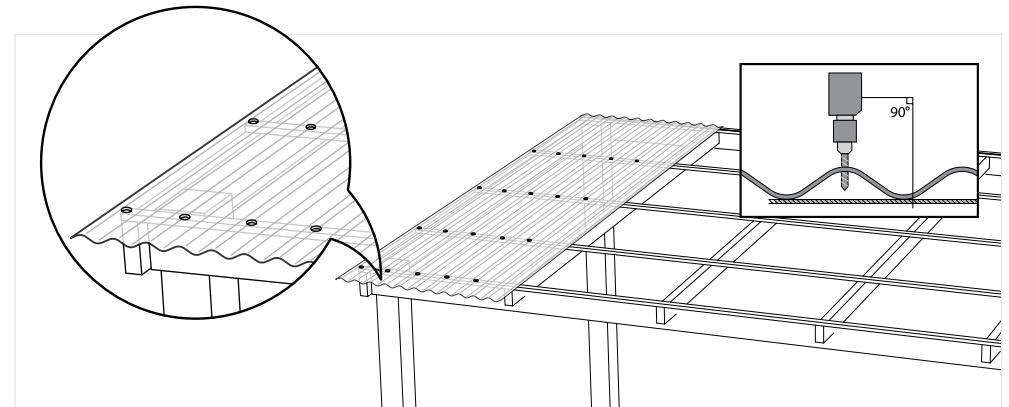


Middle Purlins



**NOTE:** In case you are fixing Suntuf Beehive with dual action fasteners, no drilling is necessary.

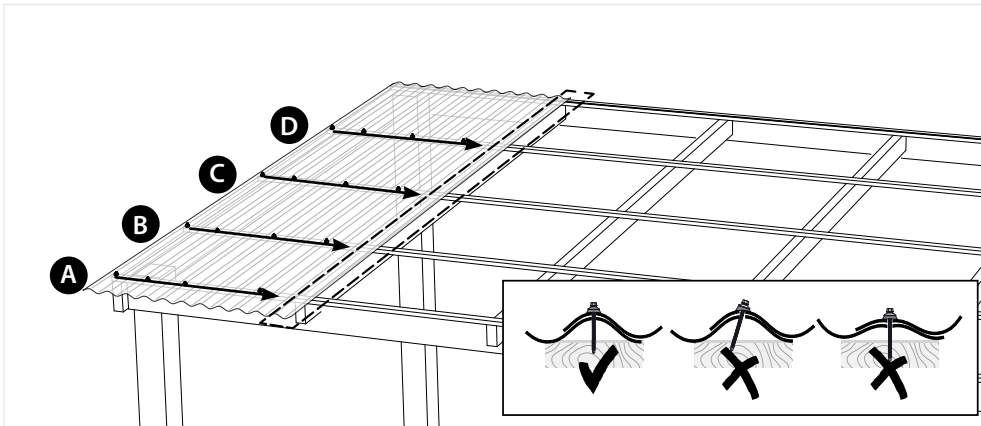
## 8 Drilling the first sheet



- Drill with a 10 mm diameter metal drill or a special drill for plastic.
- **NOTES:** drilling chips must be cleaned before tightening the screw.
- Do not drill the sidelap corrugation, it will be drilled together with the next sheet.
- In case of top wall trim use, **do not drill the top purlin line.**

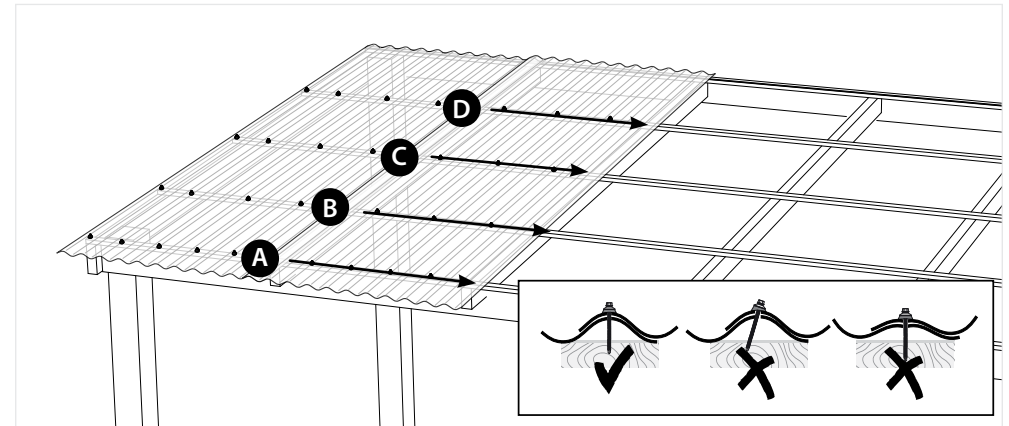
# Installation

## 9 Fixing the first sheet



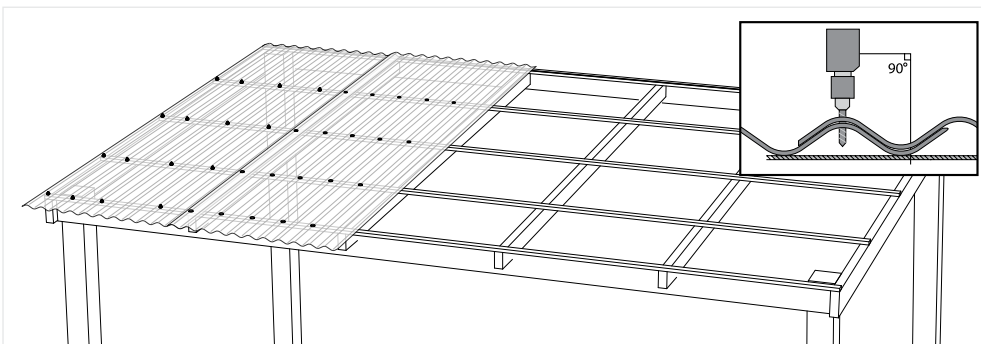
- Start fixing the screws according to screw scheme illustrated in drawing #7.
- Start at the lower end, and make your way sideways and upward.
- **NOTES:** Leave the lateral side-lap corrugation un fixed.
- It will be fixed together with the next sheet.
- In case of top wall trim use, do not drill the top purlin line.

## 11 Fixing the second sheet



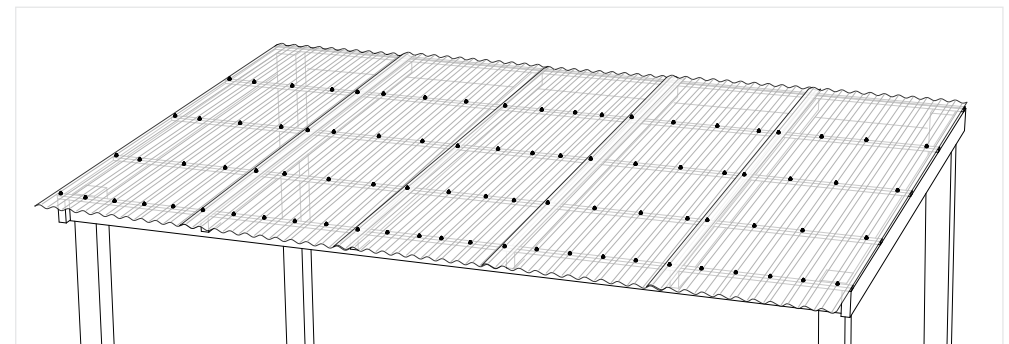
- Start fixing the screws at the overlapping corrugation
- Start at the lower end, and make your way sideways and upward.
- **NOTES:** Leave the next lateral side-lap corrugation un fixed.
- It will be fixed together with the next sheet.
- In case of top wall trim use, do not drill the top purlin line.

## 10 Positioning & Drilling the second sheet



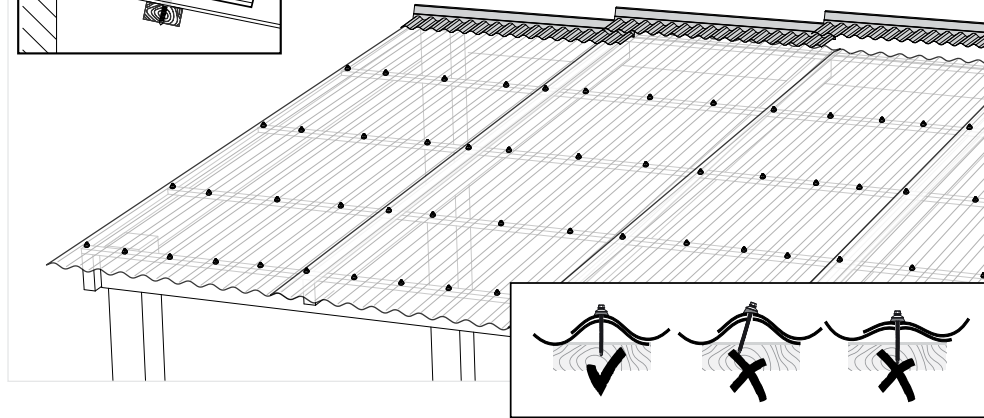
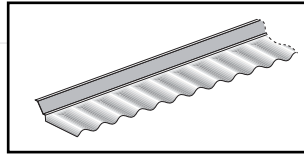
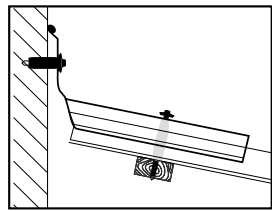
- Drill 10 mm holes through **both sheets** at the lateral overlap corrugation.
- In case of top wall trim use, leave top purlin screw line unfastened.

## 12 Repeat stages 10-11 until the pergola is fully covered

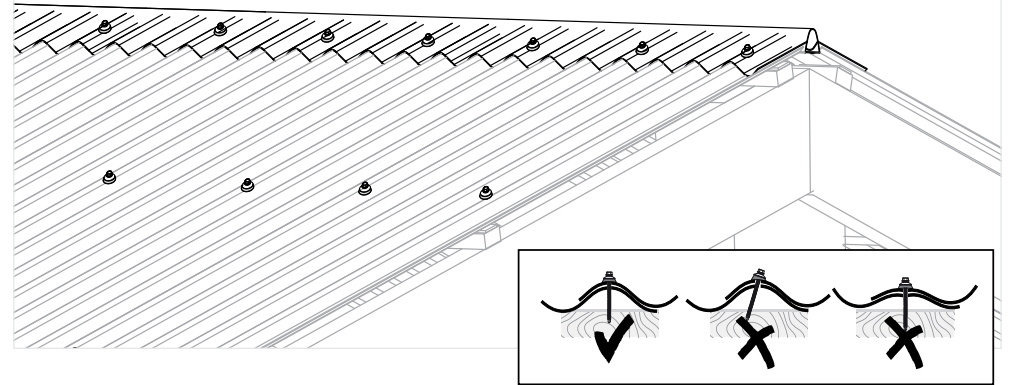
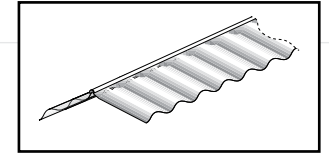
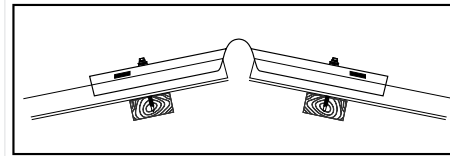


- In case of top wall trim use, leave top purlin screw line unfastened.

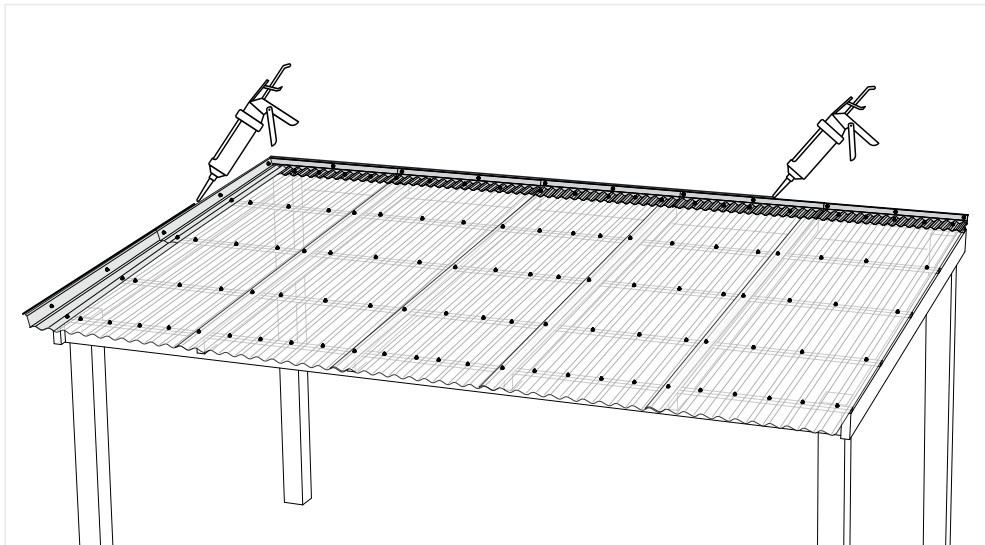
**13** Side Wall Flashing



**15** Universal Ridge Cap



**14** Complete Pergola Cover





**PALRAM SA/NT**

517A Cross keys Road  
Cavan SA 5094  
Tel: (08) 8262 2288  
Fax: (08) 8262 3388  
salessa@palram.com

**PALRAM NSW/ACT**

Unit 2, 26 Redfern St,  
Wetherill Park, NSW 2764  
Tel: (02) 8788 6100  
Fax: (02) 8788 6199  
salesnsw@palram.com

**PALRAM QLD**

Unit 9C / 380 Bilsen Road  
Geebung QLD 4034  
Tel: (07) 3172 5581  
Fax: (07) 3172 5516  
salesqld@palram.com

**PALRAM VIC/TAS**

34 Buys Court  
Derrimut VIC 3030  
Tel: (03) 9219 4444  
Fax: (03) 9219 4455  
salesvic@palram.com

**PALRAM WA**

74 Christable Way  
Landsdale WA 6065  
Tel: (08) 9302 4173  
Fax: (08) 9302 5287  
saleswa@palram.com

