



SUNTUF® DIY

Profiled Polycarbonate Sheet

SUNTUF is the ultimate DIY roofing material, offering durability and a wide color selection in a lightweight sheet that is extremely easy to install.

Clear SUNTUF sheets offer high daylight transmission, while numerous colour options offer a variety of shading options for any climate.

Shatter proof polycarbonate is warranted against hail for well over a decade of life service.

The complete UV blocking of SUNTUF is crucial for residential applications and will ensure transmission of healthy light for people.

SUNTUF maintains an attractive appearance with minimum maintenance and will retain its clarity and colour due to an integrated UV protection.

Typical Applications

- Gazebos or pergolas
- Balconies and verandas
- Outdoor play or family areas
- Sunrooms
- Domestic swimming pools
- Canopies and awnings
- Carports and garages (parking shelters)
- Skylights
- Hobby greenhouses



Easy to Install



Durable Against Impact



Optimized Light & Shade Balance



Lightweight















UV Protection


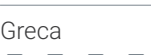



Budget-Friendly

Colours

Colour	LT [%]	HT [%]
 Clear	90	86
 White Diffused	86	80
 White Opal	45	40
 Cream	30	33
 Bronze	25	48
 Grey	20	43
		
 Solar Ice	25	35
 Solar Control	20	34
 Smart Grey	20	35
 Metallic Jasper	13	16
 Sandune	12	15

Profile Range

Type	Profile	Thickness	Width
 Corrugated	76/18	0.8 mm	Width: 860 mm Coverage: 760 mm
 Greca	76/16	0.8 mm	Width: 810 mm Coverage: 760 mm
 5 Ribs / Trimdek	190/26	0.8 mm	Width: 822 mm Coverage: 760 mm



Scan For Installation Guide

Warranties only apply to installations and maintenance that follow Palram installation instructions and specifications.



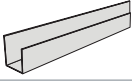


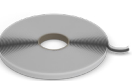
Flammability

SUNTUF complies with the most demanding international fire resistance standards in the field of plastics, as indicated in the detailed table herein. The classification is subject to product type, thickness and colour.

Method	Classification*
AS/NZS	1530.3:1999

* For more detailed information please contact your Palram distributor

Accessories

Accessory	Accessory
 Ridge & Side wall capping	 Foam Infill Strips
 Back Channel	 Purlin tape
 Clearfix & One shot screws Self Drilling Screws can save up to 50% installation time.	 Back Channel Foam

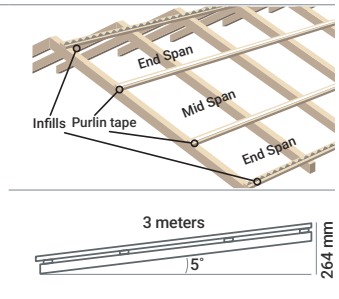
* Compatible accessories are available for the Corrugated & Greca profiles.

Installation Guidelines

Step 1 | Purlins & Accessories

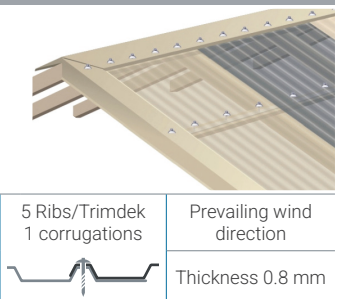
Ensure that your roof pitch is at least 5°, ie. 88mm rise per lineal metre. This will ensure adequate water run off.

Profile	End Span	Mid Span
Corrugated	800 mm	1000 mm
Greca	900 mm	1200 mm
5 Ribs	900 mm	1200 mm



Step 2 | Fixing & Overlap

Profile	End Span	Mid Span
Corrugated	every 2nd	every 3rd
Greca	every 2nd	every 3rd
5 Ribs	All	5 Ribs



In as much as Palram Industries has no control over the use to which others may put the material, it does not guarantee that the same results as those described herein will be obtained. Each user of the material should make his own tests to determine the material's suitability for his own particular use. Statements concerning possible or suggested uses of the materials described herein are not to be construed as constituting a license under any Palram Industries patent covering such use or as recommendations for use of such materials in the infringement of any patent. Palram Industries or its distributors cannot be held responsible for any losses incurred through incorrect installation of the material. In accordance with our company policy of continual product development you are advised to check with your local Palram Industries supplier to ensure that you have obtained the most up to date information.

