

COOL TOP DIY

Corrugated PVC Sheet

You can revamp the look of your home and grounds with COOL TOP DIY corrugated panels.

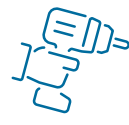
This lightweight and easy-to-install product can be used for patio covers, partitions, sliders, underdecking, and more, giving your home an attractive, functional, and economical upgrade.

COOL TOP DIY corrugated PVC panels work well with open sided and well-ventilated structures, and offer an easy and durable home improvement option, which is virtually maintenance-free.

COOL TOP DIY panels are resistant to chemicals and corrosive environments, and will maintain their color and surface under the harshest conditions.

Typical Applications

- Carports and garages
- Porches
- Patio and pool enclosures
- Verandas
- Awnings
- Gazebos or pergolas



Easy to Install



Lightweight



Durable Against Impact



UV Protection

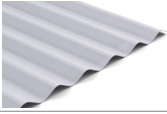
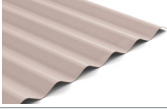


Chemical Resistant



Budget-Friendly

Colours

Colour		LT [%]
	White Opaque	0
	Beige	0

* Additional colours are available under minimum quantities.

Profile Range

Type	Profile*	Thickness	Width	Length
Corrugated 	76/18	1mm	Width: 660mm Coverage: 532mm	Up to 7.2m

Accessories

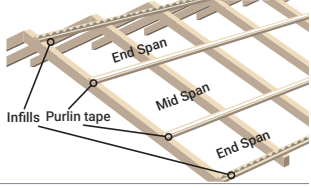
Accessory	
	Clearfix
	One Shot
Self Drilling Screws Can save up to 50% installation time.	
	Capping
	Back channel foam
	Purlin Tape
	Foam infill strips

Installation Guidelines

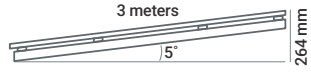
Step 1 | Purlins & Accessories

Never walk directly on COOL TOP, or any other Polycarbonate/PVC sheets. Use a board placed across at least 3 purlins to spread the load.

Profile	End Span	Mid Span
Corrugated	750 mm	1000 mm



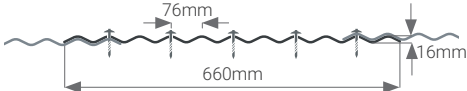
Ensure that your roof pitch is at least 5°



Step 2 | Fixing & Overlap

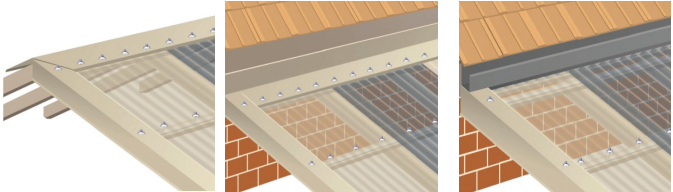
OneShot® & Clearfix, a choice in fixing, Self Drilling 50 mm Screws save up to 50% on installation time.

Fixing at crests	
Profile	Overlap
Corrugated	2 Corrugations
End Span	Mid Span
every 2nd	every 3rd



Prevailing wind direction

Step 3 | Capping & Flashings for various installations



APEX ROOF
Fit ridge capping to top of ridge where sheet meet and screw fix into top purlin.

AGAINST A WALL/ FASCIA
Fit Barge capping to edge of sheet and apron flashing at the wall or fascia. Secure using recommended fixing screws.

UNDER A GUTTER
Fit Back Channel to fascia, slide sheet into channel and screw/ fix, push foam in fill to underside of sheeting.



Scan For Installation Guide

Do not install Cool Top over existing roof, without prior consultation with the manufacturer PALRAM.